



SYSTEM DIAGRAMS

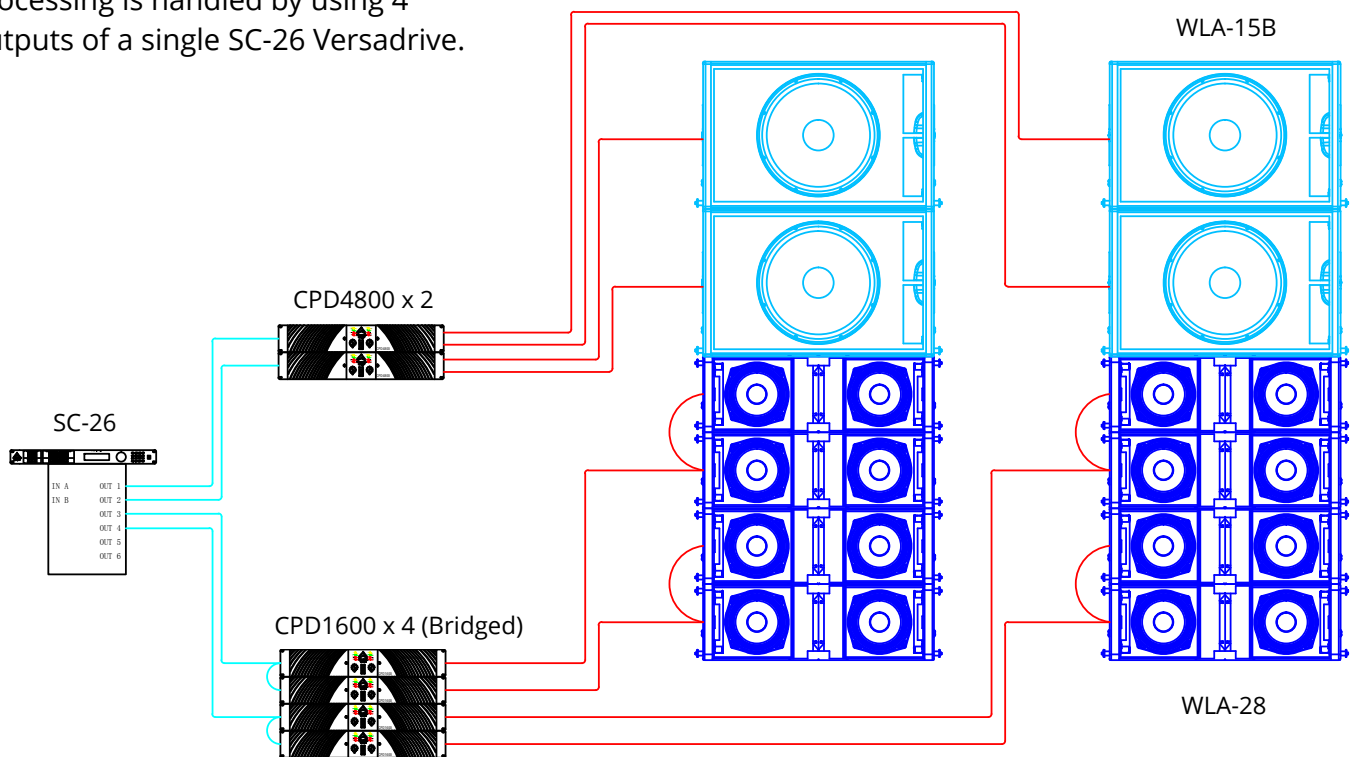
FRAMEWORK AND CONCEPTS TO HELP BUILD LINE ARRAY SYSTEMS

WLA-28 System

A small stereo array with 4 x WLA-28's and 2 x 15" subs each side.

WLA-28's are connected using the In & Thru connectors in Passive mode.

Processing is handled by using 4 outputs of a single SC-26 Versadrive.



Product list

LOUDSPEAKERS	PROCESSING	AMPLIFIERS
WLA-28 x 8	SC-26	CPD1600 x 4
WLA-15B x 4		CPD4800 x 2

>144dB
@1m
per side



SYSTEM DIAGRAMS

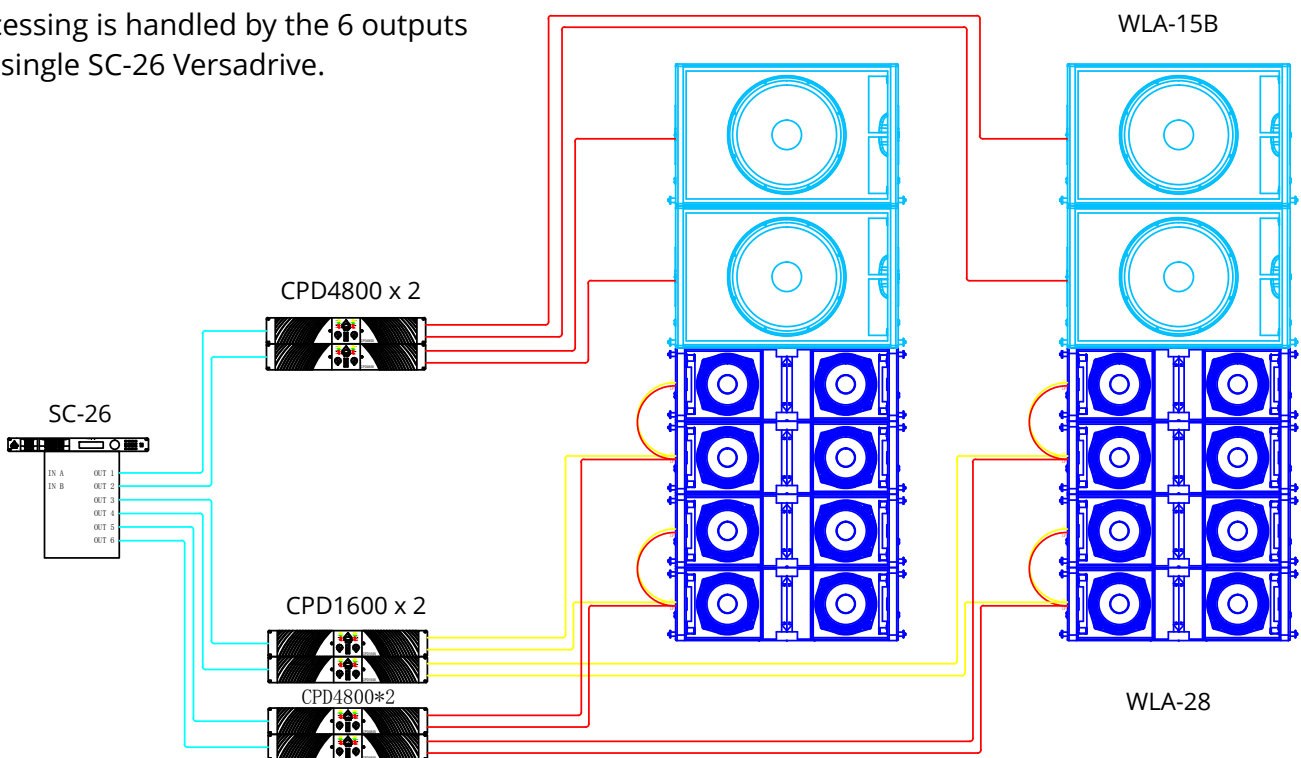
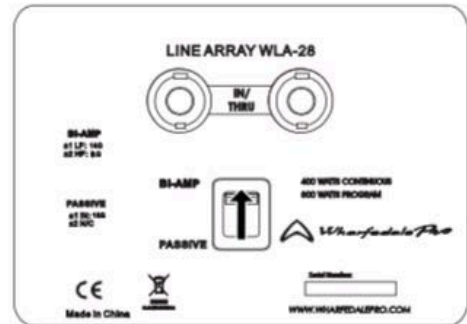
FRAMEWORK AND CONCEPTS TO HELP BUILD LINE ARRAY SYSTEMS

WLA-28 System

A small stereo array with 4 x WLA-28's and 2 x 15" subs each side.

It uses the Bi-amp feature of the WLA-28s (Bi-amp mode).

Processing is handled by the 6 outputs of a single SC-26 Versadrive.



Product list

LOUDSPEAKERS	PROCESSING	AMPLIFIERS
WLA-28 x 8	SC-26	CPD1600 x 2
WLA-15B x 4		CPD4800 x 4





SYSTEM DIAGRAMS

FRAMEWORK AND CONCEPTS TO HELP BUILD LINE ARRAY SYSTEMS

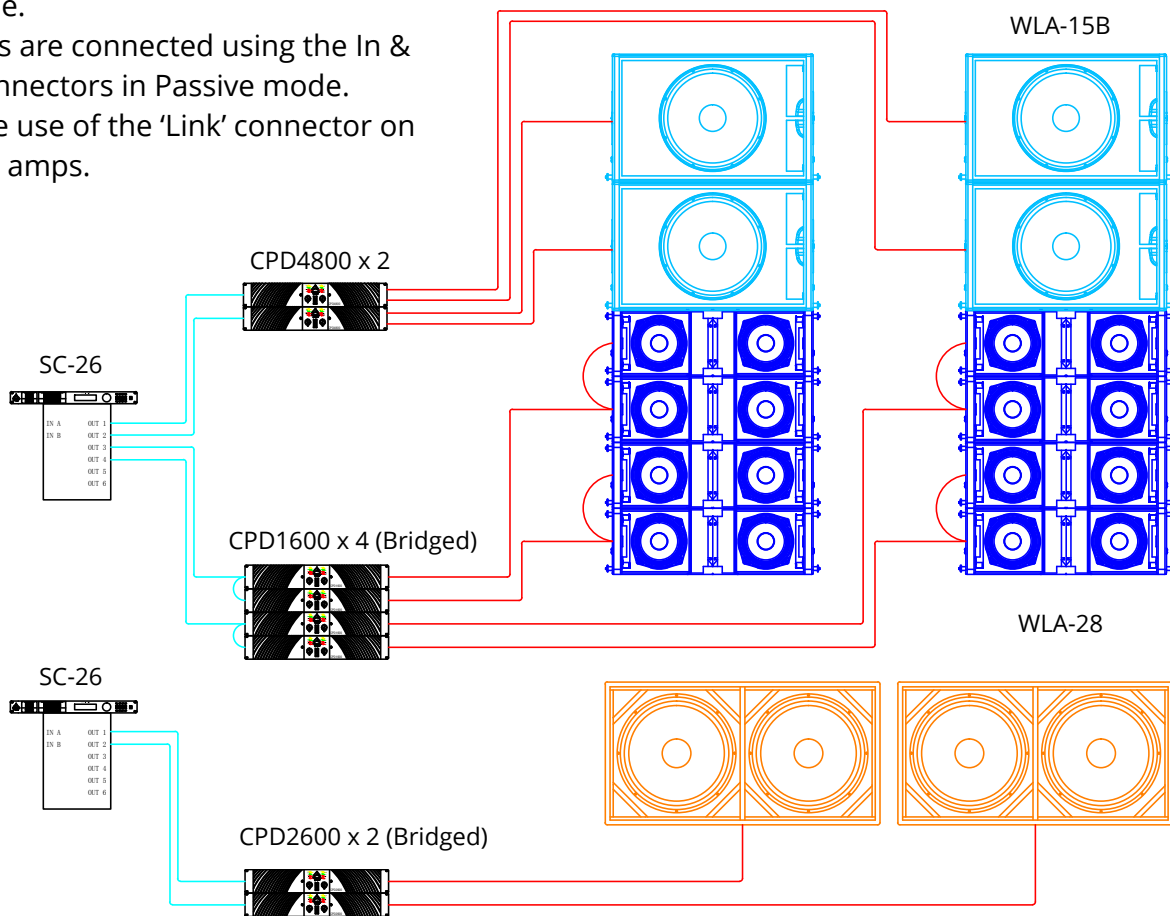
WLA-28 System

A mid-sized stereo array with extra sub bass from 2 x Delta 218B's

There are 4 x WLA-28's and 2 x 15" subs each side.

WLA-28's are connected using the In & Thru connectors in Passive mode.

Note the use of the 'Link' connector on the CPD amps.



Product list

LOUDSPEAKERS	PROCESSING	AMPLIFIERS
WLA-28 x 8	SC-26 x 2	CPD1600 x 4
WLA-15B x 4		CPD4800 x 2
DELTA 218B x 2		CPD2600 x 2





SYSTEM DIAGRAMS

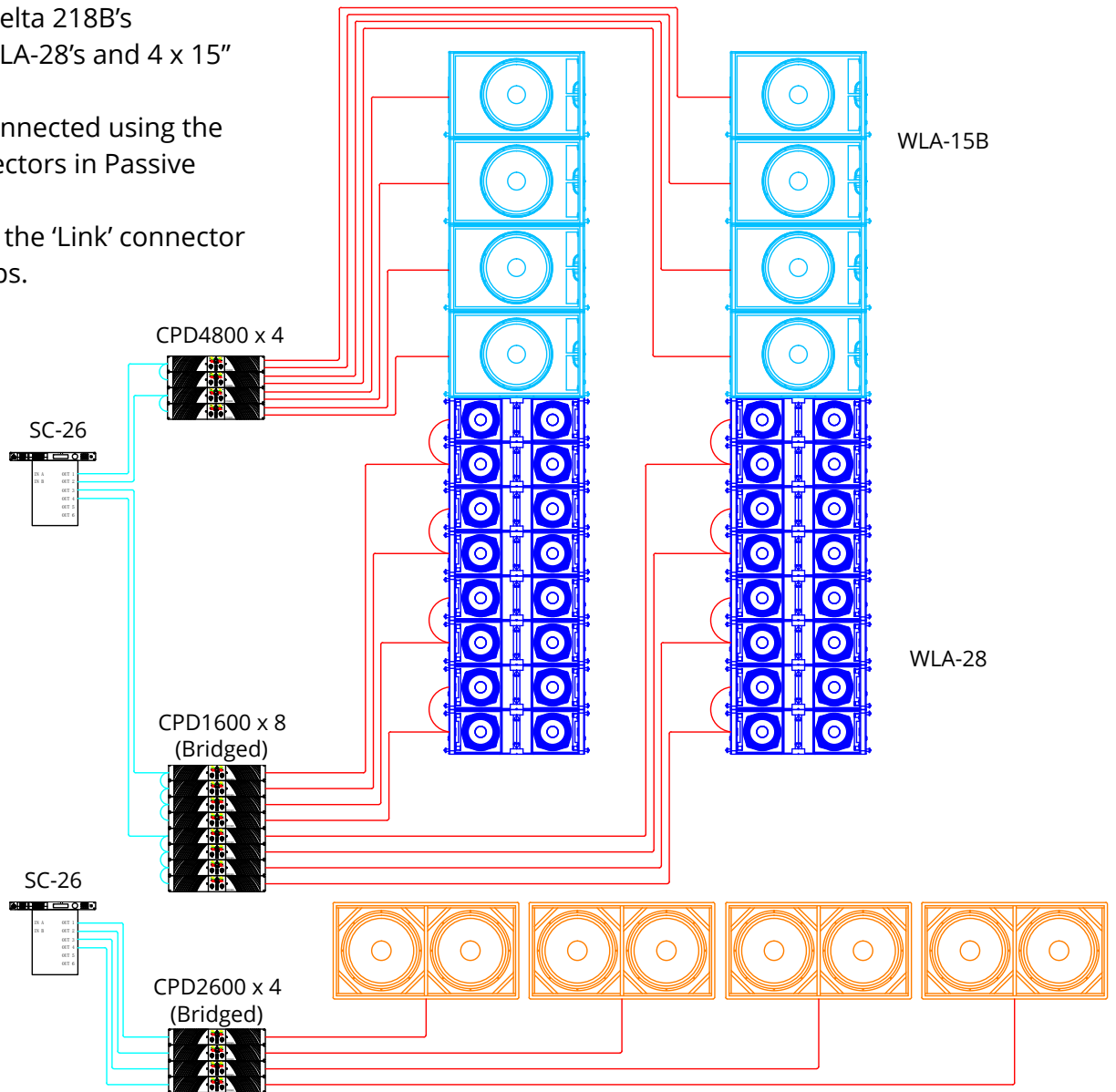
FRAMEWORK AND CONCEPTS TO HELP BUILD LINE ARRAY SYSTEMS

WLA-28 System

A large stereo array with extra sub bass from 4 x Delta 218B's
There are 8 x WLA-28's and 4 x 15" subs each side.

WLA-28's are connected using the In & Thru connectors in Passive mode.

Note the use of the 'Link' connector on the CPD amps.



Product list

LOUDSPEAKERS	PROCESSING	AMPLIFIERS
WLA-28 x 16	SC-26 x 2	CPD1600 x 8
WLA-15B x 8		CPD4800 x 4
DELTA 218B x 4		CPD2600 x 4





SYSTEM DIAGRAMS

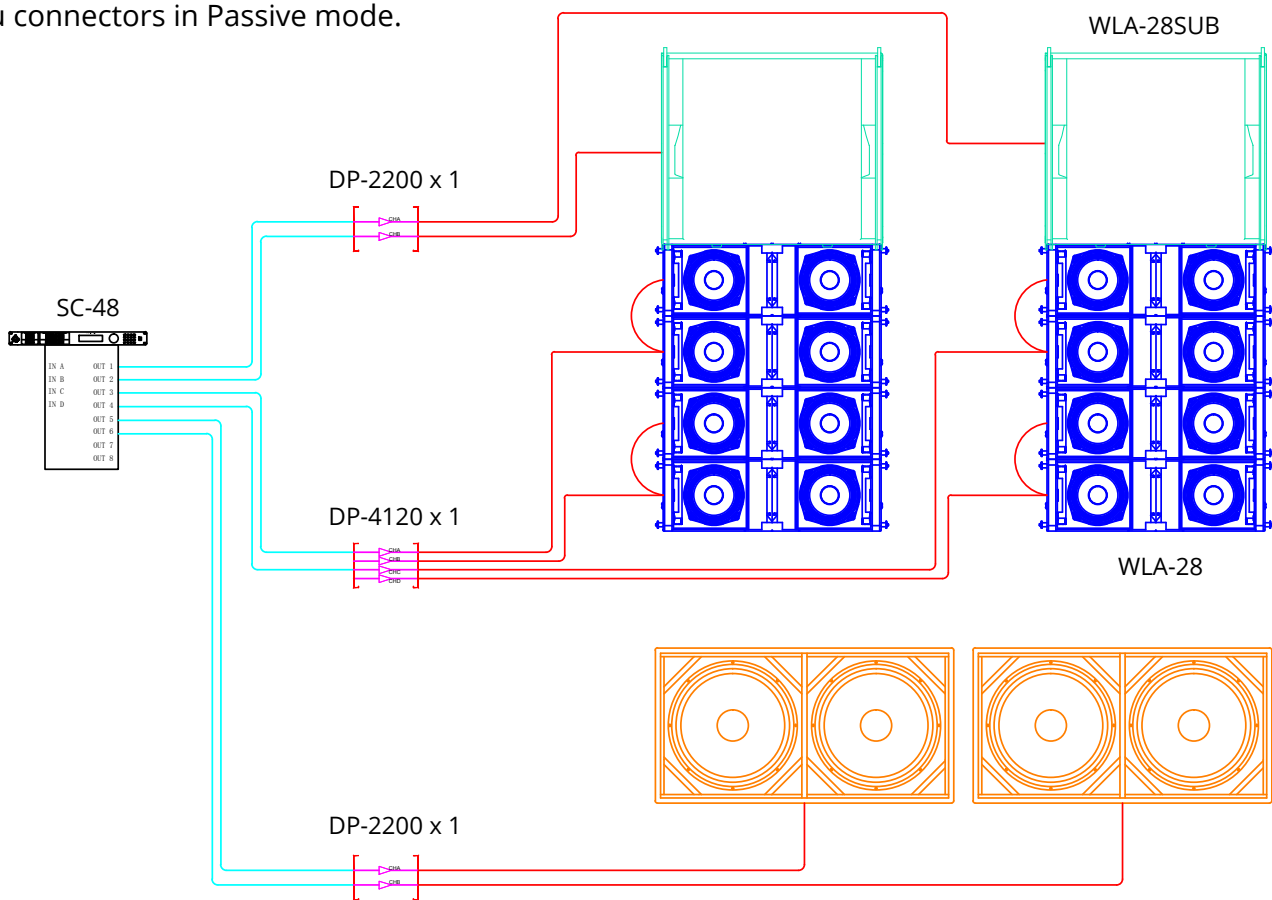
FRAMEWORK AND CONCEPTS TO HELP BUILD LINE ARRAY SYSTEMS

WLA-28 System

Using DP Series digital multi channel amplifiers, here is a lightweight and portable array system.

There are 4 x WLA-28, a dual 15" sub and 2 x 18" subs each side.

WLA-28's are connected using the In & Thru connectors in Passive mode.



Product list

LOUDSPEAKERS	PROCESSING	AMPLIFIERS
WLA-28 x 8	SC-48	DP-2200 x 2
WLA-28SUB x 2		DP-4120
DELTA 218B x 2		



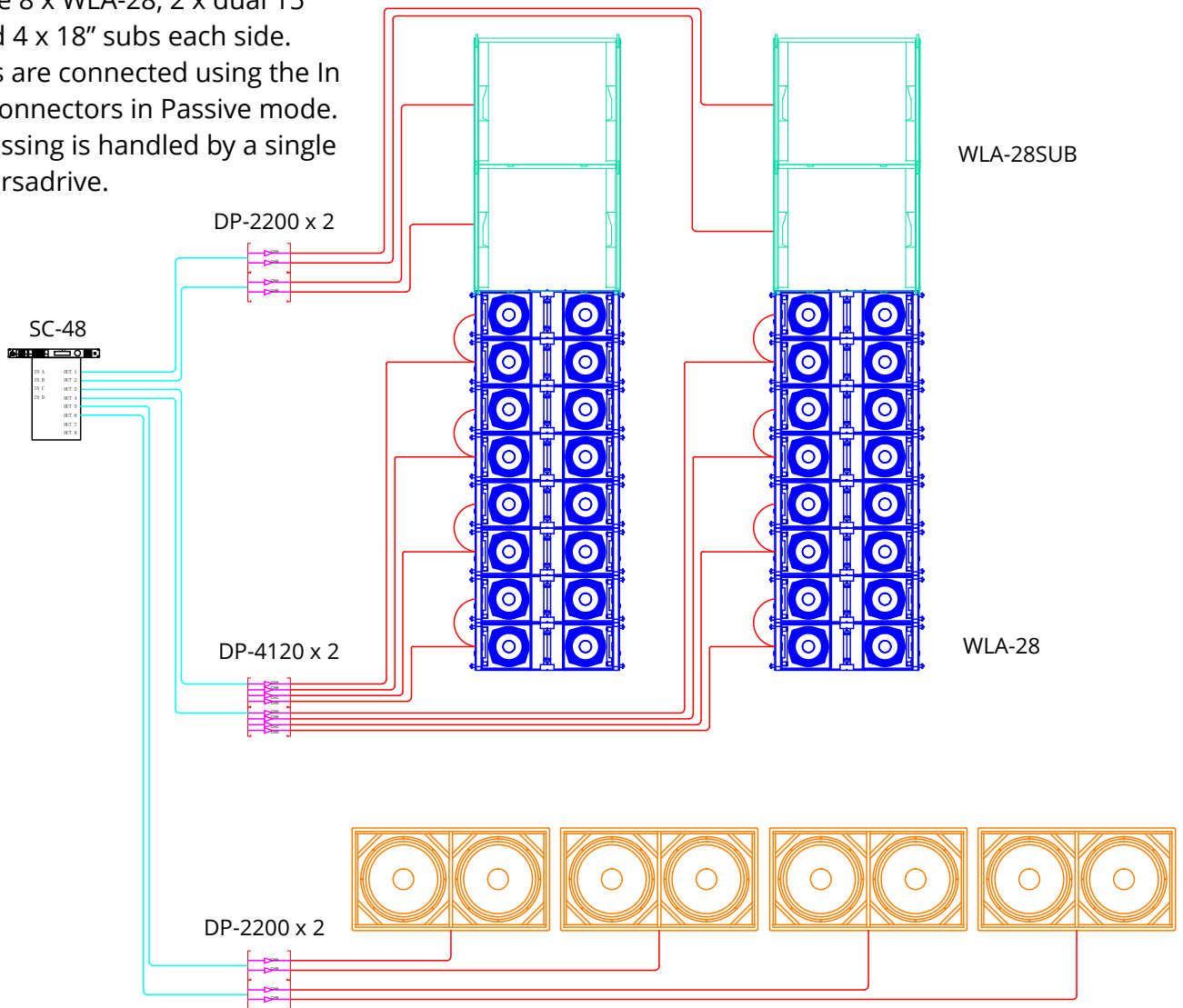


SYSTEM DIAGRAMS

FRAMEWORK AND CONCEPTS TO HELP BUILD LINE ARRAY SYSTEMS

WLA-28 System

This large system uses 6 x DP Series digital multi channel amplifiers. There are 8 x WLA-28, 2 x dual 15" subs and 4 x 18" subs each side. WLA-28's are connected using the In & Thru connectors in Passive mode. All processing is handled by a single SC-48 Versadrive.



Product list

LOUDSPEAKERS	PROCESSING	AMPLIFIERS
WLA-28 x 16	SC-48	DP-2200 x 4
WLA-28SUB x 4		DP-4120 x 2
DELTA 218B x 4		





SYSTEM DIAGRAMS

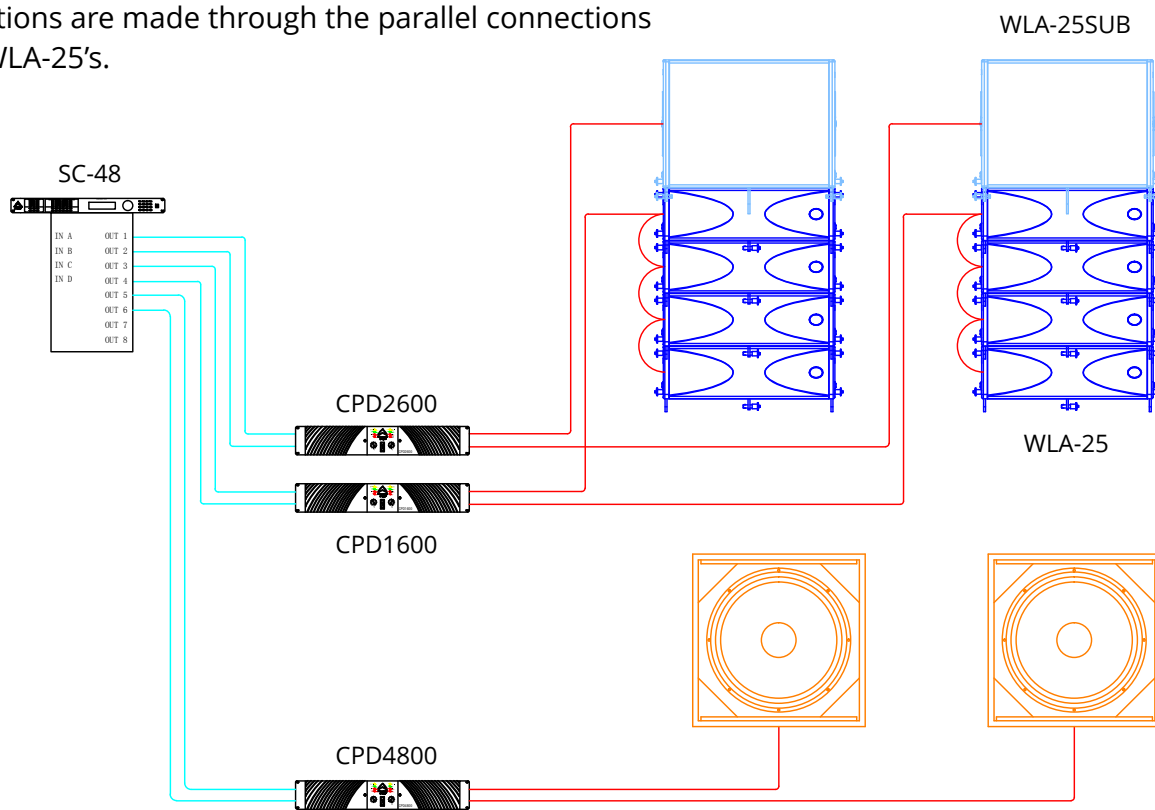
FRAMEWORK AND CONCEPTS TO HELP BUILD LINE ARRAY SYSTEMS

WLA-25 System

This portable system uses 3 x CPD series amplifiers.

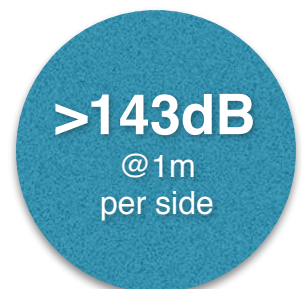
There are 4 x WLA-25, a dual 10" sub and a single 18" sub each side, with all the processing coming from a single SC-48 Versadrive.

Connections are made through the parallel connections of the WLA-25's.



Product list

LOUDSPEAKERS	PROCESSING	AMPLIFIERS
WLA-25 x 8	SC-48	CPD2600
WLA-25SUB x 2		CPD1600
DELTA 18B x 2		CPD4800





SYSTEM DIAGRAMS

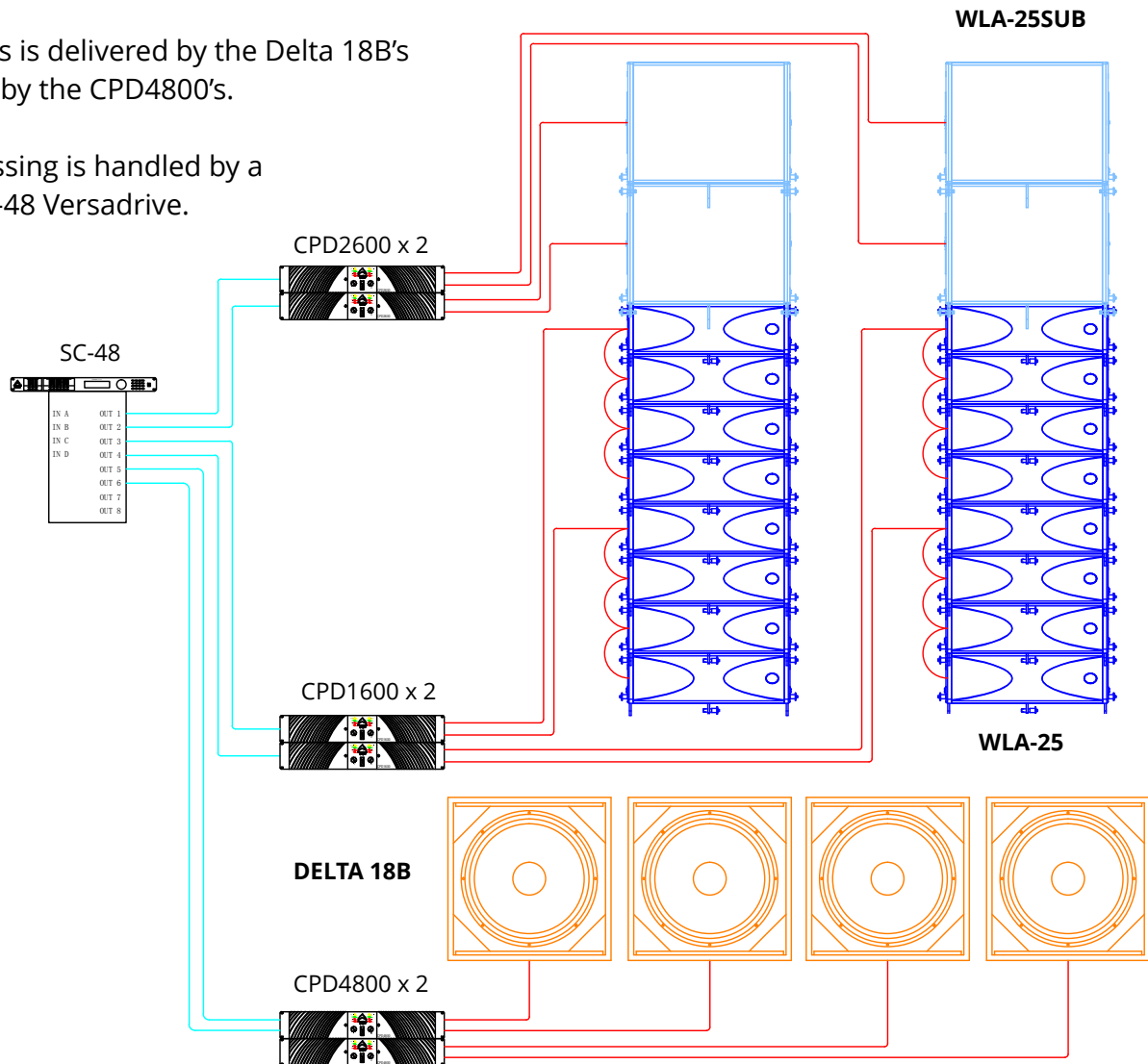
FRAMEWORK AND CONCEPTS TO HELP BUILD LINE ARRAY SYSTEMS

WLA-25 System

This stereo system is made up of 8 x WLA-25, 2 x dual 10" subs (WLA-25SUB) and 2 x 18" subs (Delta 18B) each side.

Extra bass is delivered by the Delta 18B's powered by the CPD4800's.

All processing is handled by a single SC-48 Versadrive.



Product list

LOUDSPEAKERS	PROCESSING	AMPLIFIERS
WLA-25SUB x 4	SC-48	CPD2600 x 2
WLA-25 x 16		CPD1600 x 2
DELTA 18B x 4		CPD4800 x 2





SYSTEM DIAGRAMS

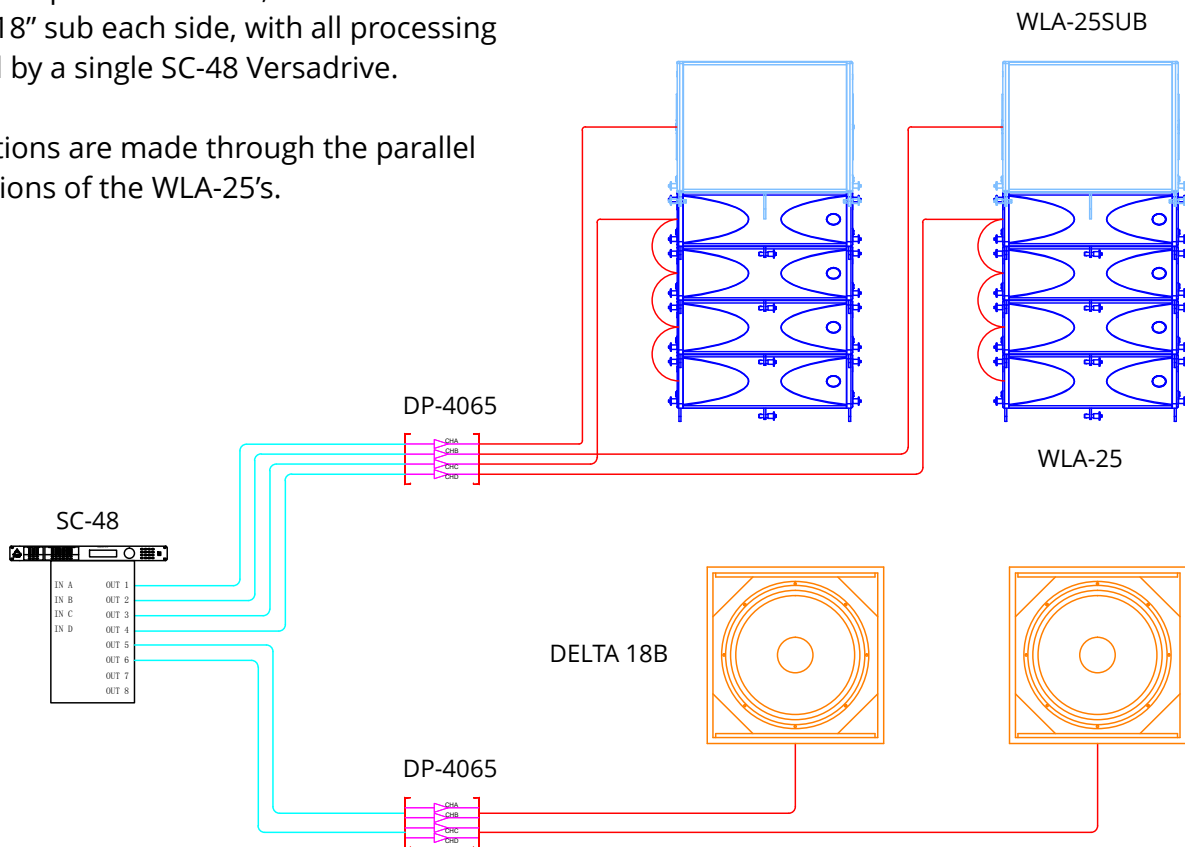
FRAMEWORK AND CONCEPTS TO HELP BUILD LINE ARRAY SYSTEMS

WLA-25 System

This mobile system uses DP Series multi channel amplifiers.

It is made up of 4 x WLA-25, a dual 10" sub and an 18" sub each side, with all processing handled by a single SC-48 Versadrive.

Connections are made through the parallel connections of the WLA-25's.



Product list

LOUDSPEAKERS	PROCESSING	AMPLIFIERS
WLA-25SUB x 2	SC-48	DP-4065 x 2
WLA-25 x 8		
DELTA 18B x 2		



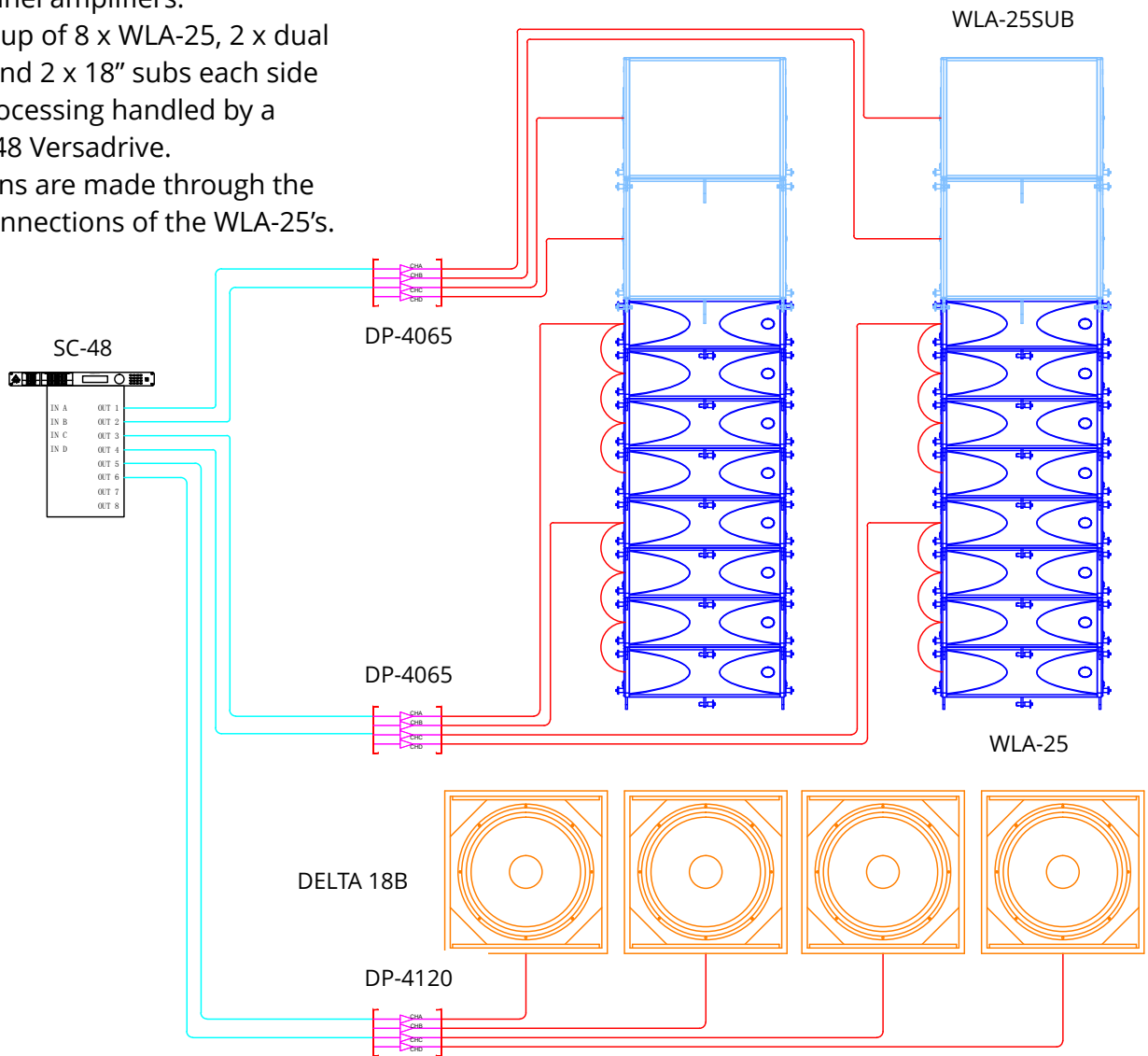


SYSTEM DIAGRAMS

FRAMEWORK AND CONCEPTS TO HELP BUILD LINE ARRAY SYSTEMS

WLA-25 System

This stereo system uses DP Series multi channel amplifiers. It is made up of 8 x WLA-25, 2 x dual 10" subs and 2 x 18" subs each side with all processing handled by a single SC-48 Versadrive. Connections are made through the parallel connections of the WLA-25's.



Product list

LOUDSPEAKERS	PROCESSING	AMPLIFIERS
WLA-25SUB x 4	SC-48	DP-4065 x 2
WLA-25 x 16		DP-4120
DELTA 18B x 4		

